

volt trac™

A new generation of electric chain hoists.

TRIED, TESTED, TRACTEL®

www.tractel.com

volt trac™

Why Choose Tractel®?

Tractel® is a world leading safety specialist providing reliable, innovative and cost-effective working-at-height solutions and services. These solutions are used in many end-user applications, in particular in industrial, construction, energy, telecoms and infrastructure projects.

Based on over 30 years experience designing electric chain hosts, Tractel® have developed **volt trac™**, a new generation of electric chain hoists.

volt trac™ electric chain hoists feature a strong, compact and clean design that delivers reliable lifting capacities from 250kg to 2000kg. With it's easy and fast maintenance, **volt trac™** offers low cost of ownership; an economic solution for your lifting needs.

INDEPENDENTLY VERIFIED

volt trac™ complies with all aspects of EN14492-2 2010 and has been independently verified by TuV Rheinland. This gives you peace of mind that volt trac™ will deliver the performance you need.

SAFE AND SECURE

volt trac™ is supplied with the following features as standard:

- overload slip clutch protection
- low voltage control – 24V
- motor thermal cut out
- phase controller
- 2 spot overload indicators on the bottom hook

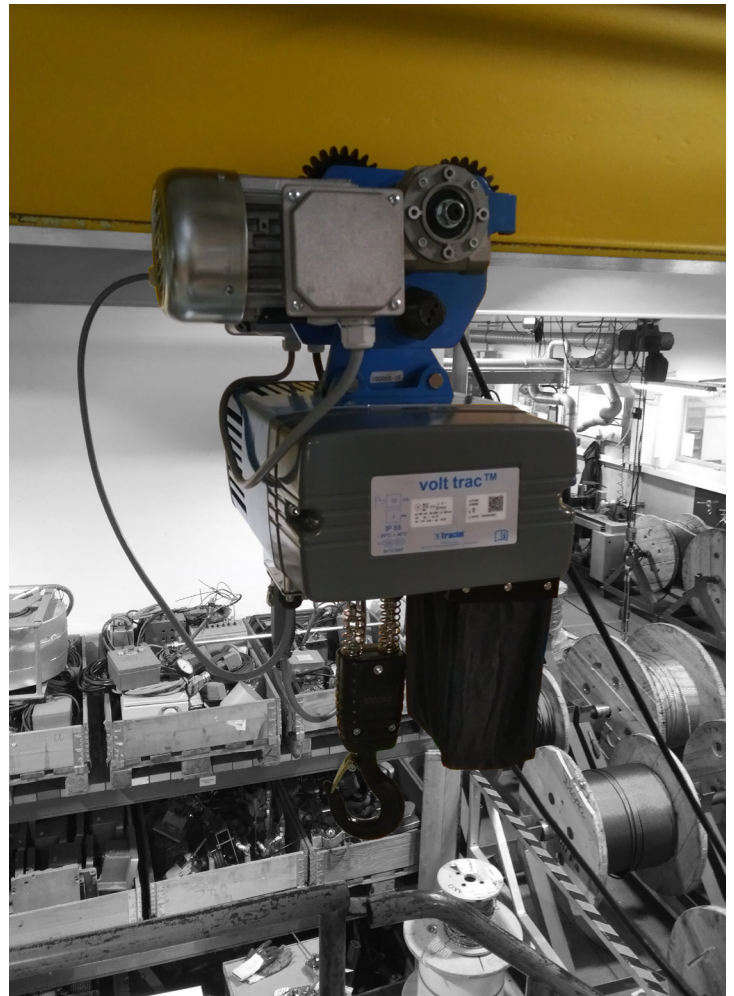
EASE OF OPERATION

volt trac™ is delivered as “Plug and Play” – simply plug in the power supply, the pendant control and start work.

EASY MAINTENANCE

The robust modular, compact and ergonomic construction of volt trac™ offers easy maintenance and access to all major components.

- Easy access to the chain sprocket and chain guide, electrical components and the motor.
- Easy access to contactors mounted on rails
- Metal chain guide with long life
- No special tools needed
- Standard round link DAT case hardened load chain
- Low Total Cost of Ownership



volt trac™

a new generation of electric chain hoists



COMPACT DESIGN

Modular design allows for fast assembly and disassembly during maintenance. Easy access to the chain sprocket and chain guide, electrical components and the motor

OVERLOAD PROTECTION

- Slip clutch acts as overload protection
- Brake after the slip clutch, thereby the load is always held by the brake
- Cannot lift when overloaded (can still lower)
- Added safety and avoids misuse
- Prevents overload damage to the hoist and assures operator safety

ELECTROMAGNETIC BRAKE

- Holds the load without power supply
- Maintenance-free and highly reliable
- Single disc brake with two friction surfaces
- If motor fails, the load is held

OIL BATH LUBRICATION

Closed gear box with continuous oil bath lubrication ensuring better cooling and a longer gear life

FEM/ISO RATING 2M/M5

Proven long life and maximised cost of ownership. Flexibility of different capacities with the same body

DUTY FACTOR ED 40%

Efficient operation offering 300 starts per hour

CAPACITIES

250 kg to 2000 kg

FEATURES

LOW NOISE LEVEL

Very quiet operation meaning less operator fatigue - 72-77 db

LOW HEADROOM

Reduced loss of suspension height meaning better hook-to-hook dimensions and greater flexibility for applications

SUSPENSION OPTIONS

Various hanging options are available e.g.hook/eye/trolley, allowing flexibility for applications

EXTERNAL LIMIT SWITCHES

Integrated external limit switches, for upper and lower end stops, allows easy adaption with different heights of lift and between 1 and 2 fall hoists.



HEIGHT OF LIFT

25 m maximum height of lift

THERMAL CUT OUT

thermal cut out and phase protection as standard, to prevent damage to the motor.

HELICAL GEAR SYSTEM

Hardened 3-stage drive with helicoidal gearing system provides quieter and smoother running.

LOW VOLTAGE - 24V

Low voltage control as standard for safer user operation

IP RATING

IP 55 protection against dust ingress and water jets

LOW TOTAL COST OF OWNERSHIP

volt trac™

a new generation of electric chain hoists

VERSIONS

Available as a single fall or double fall version with capacities ranging from 250 kg to 2000 kg,



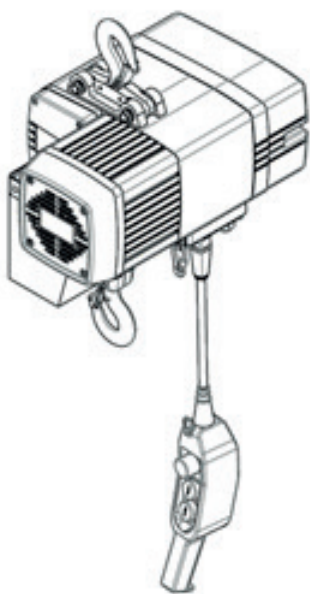
Single fall version



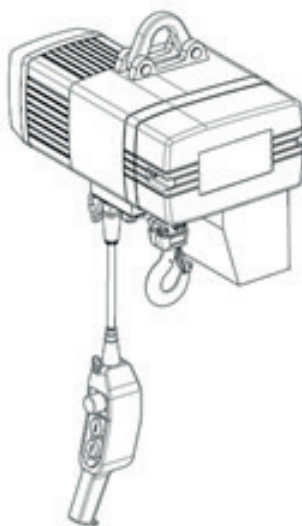
Double fall version

SUSPENSION OPTIONS

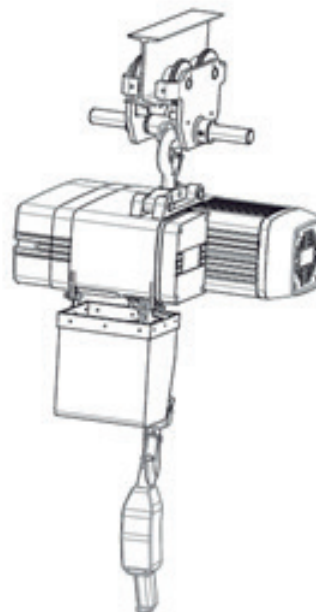
Various hanging options are available e.g.hook/eye/trolley, allowing flexibility for applications



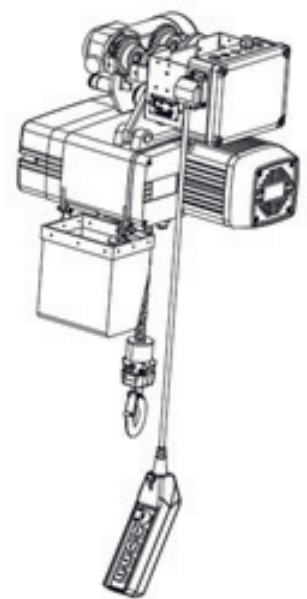
Hook suspension



Eye suspension



Push trolley
suspension



Electric suspension

GLOBAL REACH



NORTH AMERICA

CANADA

Tractel Ltd.
1615 Warden Avenue
Toronto, Ontario M1R 2T3, Canada
Phone: +1 800 465 4738
Fax: +1 416 298 0168
Email: marketing.swingstage@tractel.com

11020 Mirabeau Street
Montréal, QC H1J 2S3, Canada
Phone: +1 800 561 3229
Fax: +1 514 493 3342
Email: tractel.canada@tractel.com

MÉXICO

Tractel México S.A. de C.V.
Galileo #20, Oficina 504.
Colonia Polanco
México, D.F. CP. 11560
Phone: +52 55 6721 8719
Fax: +52 55 6721 8718
Email: tractel.mexico@tractel.com

USA

Tractel Inc.
51 Morgan Drive
Norwood, MA 02062, USA
Phone: +1 800 421 0246
Fax: +1 781 826 3642
Email: tractel.usa-east@tractel.com

168 Mason Way
Unit B2
City of Industry, CA 91746, USA
Phone: +1 800 675 6727
Fax: +1 626 937 6730
Email: tractel.usa-west@tractel.com

BlueWater L.L.C

4064 Peavey Road
Chaska, MN 55318, USA
Phone: +1 866 579 3965
Email: info@bluewater-mfg.com

Fabenco, Inc

2002 Karbach St.
Houston, Texas 77092, USA
Phone: +1 713 686 6620
Fax: +1 713 688 8031
Email: info@safetygate.com

EUROPE

GERMANY

Tractel Greifzug GmbH
Scheidtbachstrasse 19-21
51469 Bergisch Gladbach, Germany
Phone: +49 22 02 10 04-0
Fax: +49 22 02 10 04 70
Email: info.greifzug@tractel.com

LUXEMBOURG

Tractel Secalt S.A.
Rue de l'Industrie 12
B.P 1113 - 3895 Foetz, Luxembourg
Phone: +352 43 42 42-1
Fax: +352 43 42 42-200
Email: secalt@tractel.com

SPAIN

Tractel Ibérica S.A.
Carretera del Medio, 265
08907 L'Hospitalet del Llobregat
Barcelona, Spain
Phone: +34 93 335 11 00
Fax: +34 93 336 39 16
Email: infotib@tractel.com

FRANCE

Tractel S.A.S.
RD 619 Saint-Hilaire-sous-Romilly
BP 38 Romilly-sur-Seine
10102, France
Phone: +33 3 25 21 07 00
Email: info.tsas@tractel.com

IFMS S.A.S.

32, rue du Bois Galon
94120 Fontenay sous Bois, France
Phone: +33 1 56 29 22 22
E-mail: ifms.tractel@tractel.com

Tractel Solutions S.A.S.

77-79, rue Jules Guesde
69230 St Genis-Laval, France
Phone: +33 4 78 50 18 18
Fax: +33 4 72 66 25 41
Email: info.tractelsolutions@tractel.com

GREAT BRITAIN

Tractel UK Limited
Old Lane Halfway
Sheffield S20 3GA, United Kingdom
Phone: +44 114 248 22 66
Email: sales.uk@tractel.com

ITALY

Tractel Italiana SpA
Viale Europa 50
Cologno Monzese (Milano) 20093,
Italy
Phone: +39 02 254 47 86
Fax: +39 02 254 71 39
Email: infoit@tractel.com

NETHERLANDS

Tractel Benelux BV
Paardeweide 38
Breda 4824 EH, Netherlands
Phone: +31 76 54 35 135
Fax: +31 76 54 35 136
Email: sales.benelux@tractel.com

PORTUGAL

Lusotractel Lda
Bairro Alto Do Outeiro Armazém 1
Trajouce, 2785-653 S. Domingos
de Rana, Portugal
Phone: +351 214 459 800
Fax: +351 214 459809
Email: comercial.lusotractel@tractel.com

POLAND

Tractel Polska Sp. z o.o.
ul. Bylawska 82
Warszawa 04-993, Poland
Phone: +48 22 616 42 44
Fax: +48 22 616 42 47
Email: tractel.polska@tractel.com

NORDICS

Tractel Nordics
(Scanclimber OY)
Turkkirata 26
FI - 33960
Pirkalla, Finland
Phone: +358 10 680 7000
Fax: +358 10 680 7033
E-mail: tractel@scanclimber.com

RUSSIA

Tractel Russia O.O.O.
Olympiyskiy Prospect 38, Office 411
Mytishchi, Moscow Region
141006, Russia
Phone: +7 495 989 5135
Email: info.russia@tractel.com

ASIA

CHINA

Shanghai Tractel Mechanical Equip. Tech. Co. Ltd.
2nd floor, Block 1, 3500 Xiupu road,
Kangqiao, Pudong,
Shanghai, People's Republic of China
Phone: +86 21 6322 5570
Fax: +86 21 5353 0982

SINGAPORE

Tractel Singapore Pte Ltd
50 Woodlands Industrial Park E7
Singapore 757824
Phone: +65 6757 3113
Fax: +65 6757 3003
Email: enquiry@tractelsingapore.com

UAE

Tractel Secalt SA Dubai Branch
Office 1404, Prime Tower Business Bay
PB 25768 Dubai, United Arab
Emirates
Phone: +971 4 343 0703
Email: tractel.me@tractel.com

INDIA

Secalt India Pvt Ltd.
412/A, 4th Floor, C-Wing, Kailash
Business Park, Veer Savarkar Road,
Parksite, Vikhroli West,
Mumbai 400079, India
Phone: +91 22 25175470/71/72
Email: info@secalt-india.com

TURKEY

Knot Yapı ve İş Güvenliği San.Tic. A.Ş.
Cevizli Mh. Tugay Yolu CD.
Nuvo Dragos Sitesi
A/120 Kat.11 Maltepe
34846 Istanbul, Turkey
Phone: +90 216 377 13 13
Fax: +90 216 377 54 44
Email: info@knot.com.tr

ANY OTHER COUNTRIES:

Tractel S.A.S.

RD 619 Saint-Hilaire-sous-Romilly
BP 38 Romilly-sur-Seine
10102, France
Phone: +33 3 25 21 07 00
Fax: +33 3 25 21 07 11
Email: info.tsas@tractel.com



www.tractel.com

